

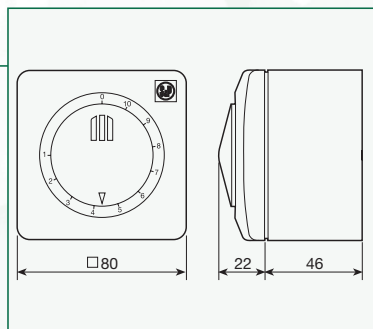


## SINGLE-PHASE SPEED CONTROLLER



1 026882 603077

REB-1N / REB-1NE / REB-2,5N / REB-2,5NE  
Electronic single-phase speed controllers



Available in Wall Box or Flush Mount versions.  
Fuse protected + spare fuse included.  
Minimum speed adjustment.  
Single ON/OFF and speed regulation control knob.

Model	Electrical supply		IP Protection	Power (VA)	Maximum current (A)	Class	Operating temperature range
	Frequency (Hz)	Voltage (V)					
REB-1N/1NE	50	220-240	IP44	220	1	II (□)	0-40°C
REB-2,5N/2,5NE				550	2,5		